

COLOR:

FINISH: POLISHED

SUEDE*
CHECK AVAILABILITY

DUSJBUNN - KADOR

MAX SIZE: A: 1200 X B: 3000 MM

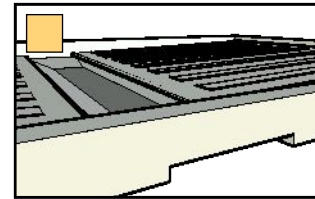
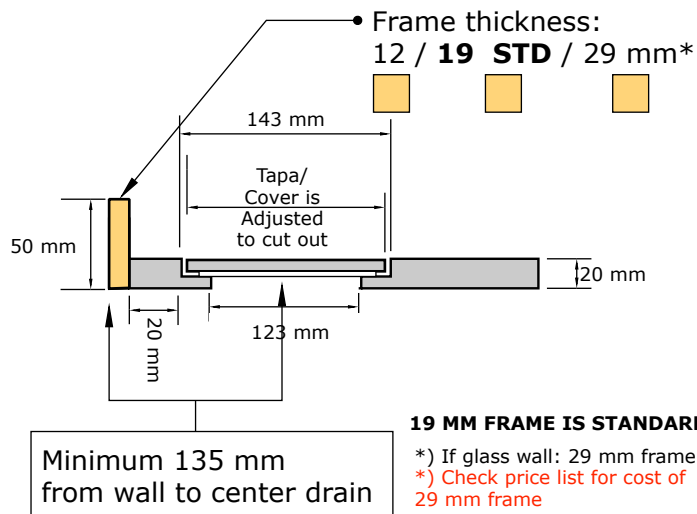
WANTED DELIVERY WEEK

A: DYBDE

B) LENGDE:

REFEANSEN:

Max 1200 X 3000 mm / If any area of the shower tray exceed 1500 mm it will be a drying area without slope.

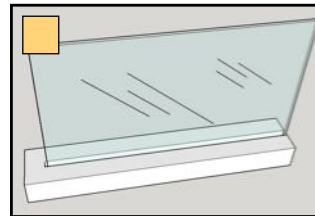


GROOVE FOR OVERFLOW WATER

Indicate position on drawing from which side you want the groove.

Groove will be same width as the cut out for drain.

*) Spor på underside for overløpsvann kan stressa materialet når dette blir for tynt ved slik utskjæring. Vær Obs på god støtte og evt forsterkninger med riktig limbruk ved installasjon.



GROOVE FOR GLASS WALL

Indicate position on drawing + length: Width: Depth:

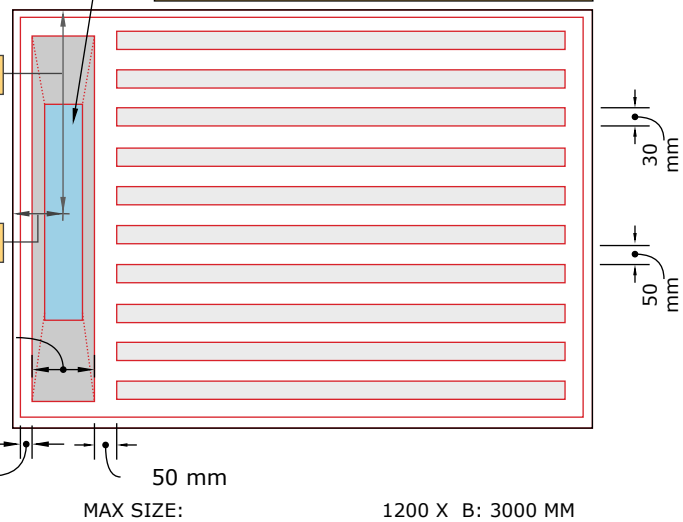
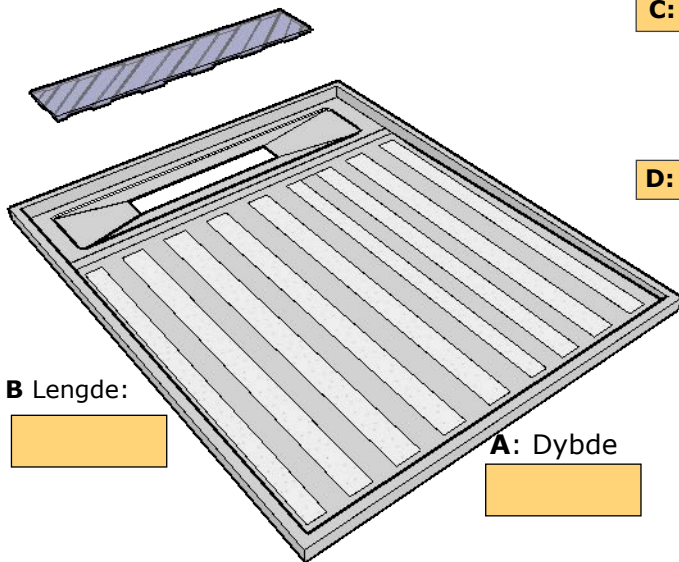
Check price list for cost

POSITION & SIZE OF THE CUT OUT

SIZE OF CUT OUT: (Ex: 80X500 mm)

C:

D:



Position of the cut out has to be located within given measurements. From the wall: Frame Thickness 11 / 19 / 29 mm + 153 mm

Tapa / Cover over drain area will be adjusted manually on the factory to fit the cut out.

EXTRA BACK WALL YES NO

COLOR:

